

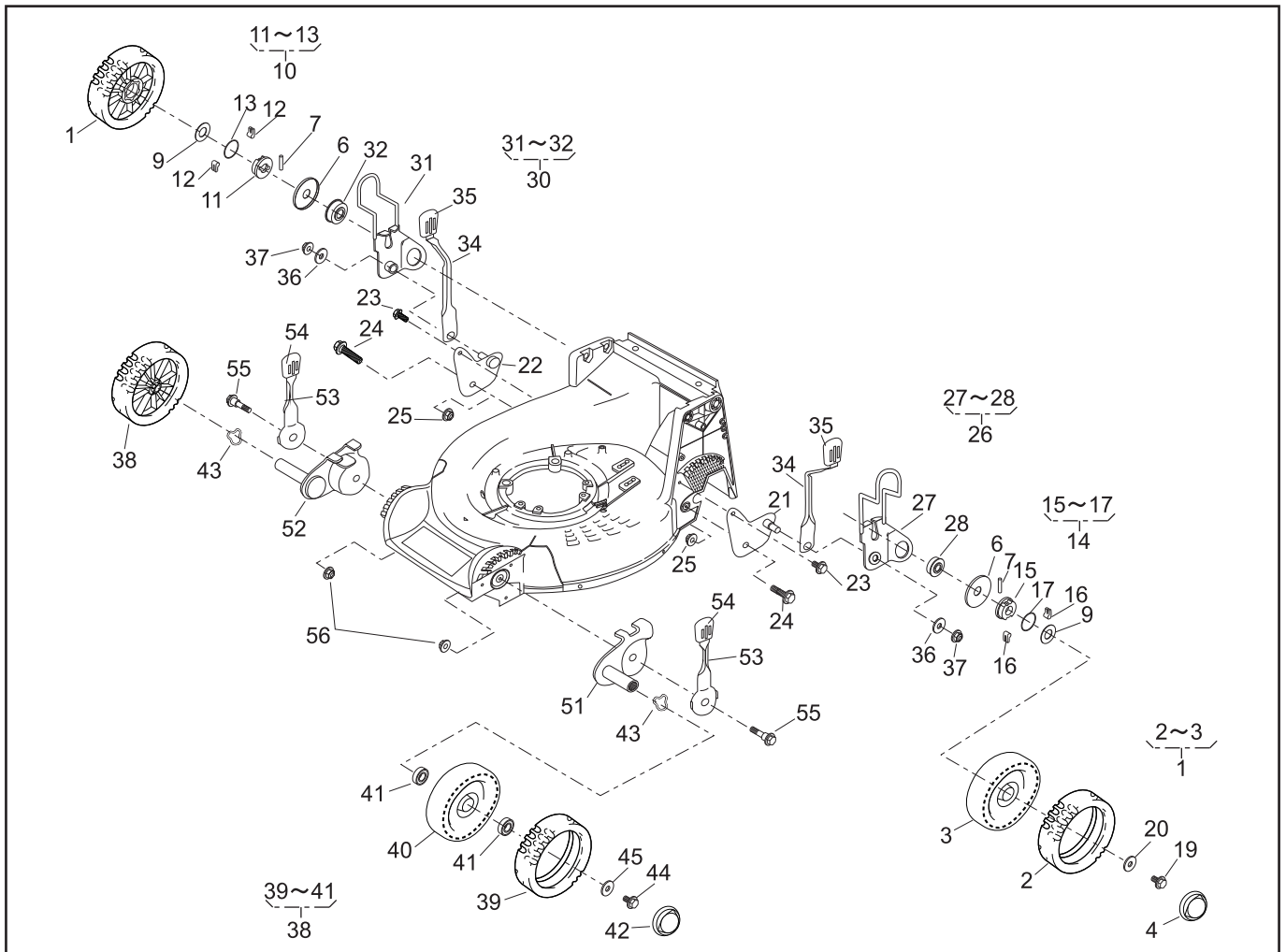


TOSAERBA SARP

SLM-5360HX

Dalla matricola 3000001

ESPLOSO RICAMBI

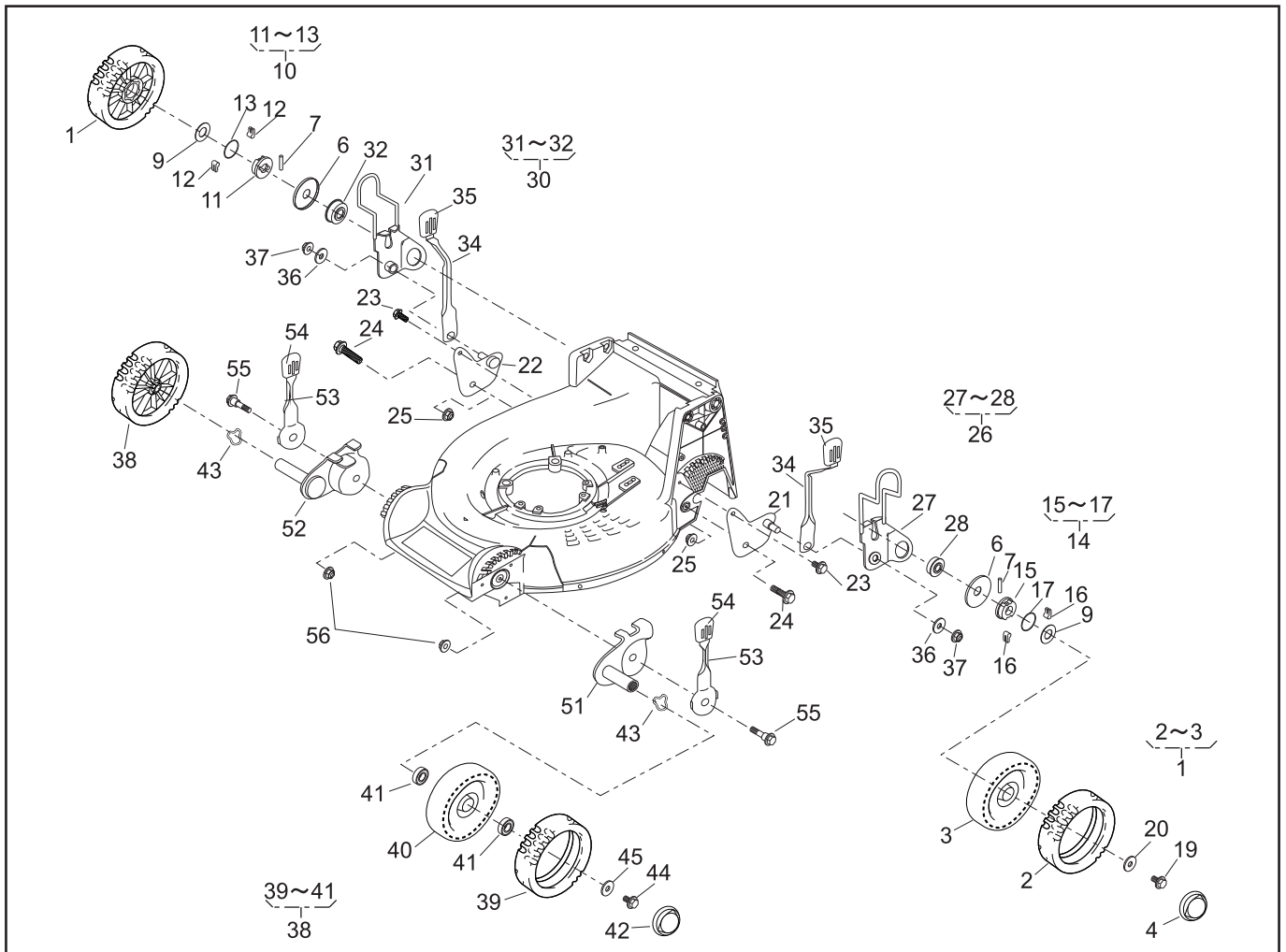


PARTS LIST

46014-223-02

REF. No.	PARTS No.	PARTS NAME	WHEEL			1/2	RECOMM.(%) Lot.100	Feb.07,2005	REMARKS
			Q'TY	PRICE()					
1	71041 112	WHEEL ASSY(R)	2						
2	91086 106	TIRE	2						
3	36107 102	WHEEL	2						
4	36070 110	CAP	2						
5									
6	61003 112	THRUST PLATE	2						
7	31034 137	PIN	2						
8									
9	68036 146	WASHER	2						
10	71158 101	RATCHET ASSY(R)	1						
11	11102 138	HOLDER	1						
12	31034 170	PIN	2						
13	68013 266	SPRING	1						
14	71158 102	RATCHET ASSY(L)	1						
15	11102 138	HOLDER	1						
16	31034 170	PIN	2						
17	68013 266	SPRING	1						
18									
19	31057 181	HEXAGON BOLT	2						
20	68036 101	WASHER	2						
21	11006 151	STAY C.P.(RL)	1						
22	11006 152	STAY C.P.(RR)	1						
23	342L 0612	FLANGE TAPPING BOLT	2						
24	31057 255	HEXAGON BOLT	2						
25	569L 0800	FLANGE NYLON NUT	2						
26	71122 112	ADJUSTER ASSY(L)	1						
27	11142 131	ADJUSTER(RL)	1						
28	945L 0349	BEARING	1						

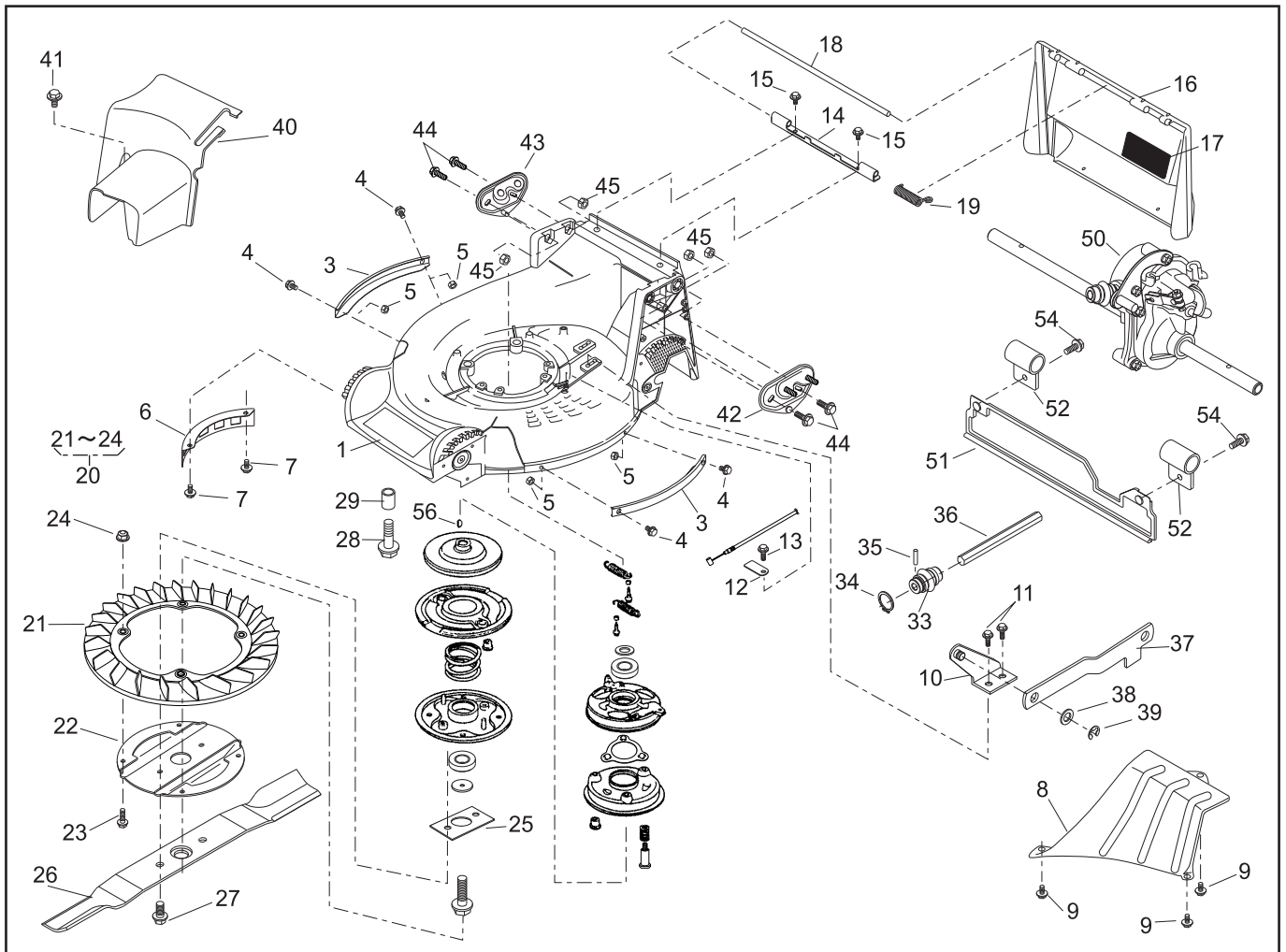
NOTE



PARTS LIST

46014-223-02

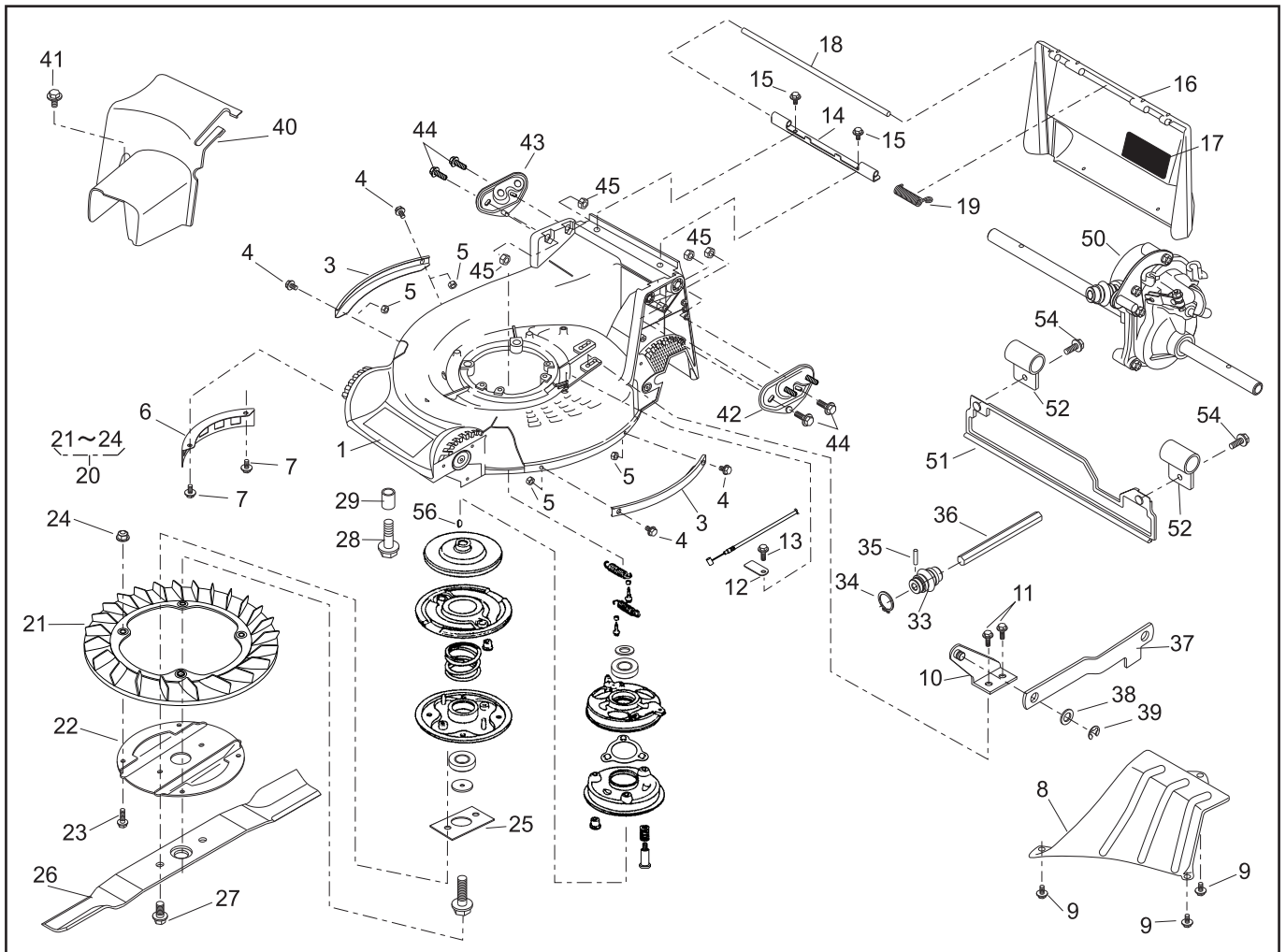
REF. No.	PARTS No.	PARTS NAME	WHEEL			2/2	RECOMM.(%) Lot.100	Feb.07,2005	REMARKS
			Q'TY	PRICE()	INCLUDING				
NOTE	29								
	30	71122 113 ADJUSTER ASSY(R)	1						
	31	11142 132 ADJUSTER(RR)	1						
	32	945L 0349 BEARING	1						
	33								
	34	11150 105 09 ADJUST LEVER	2						
	35	36061 121 KNOB	2						
F	36	613L 0800 PLAIN WASHER	2						
	37	569L 0800 FLANGE NYLON NUT	2						
	38	71041 103 WHEEL ASSY(F)	2						
	39	91086 102 TIRE	2						
	40	36107 102 WHEEL	2						
	41	932L 0696 BEARING		4					
	42	36070 110 CAP	2						
	43	664V 0626 WAVE SPRING WASHER	2						
	44	31057 181 HEXAGON BOLT	2						
	45	68036 101 WASHER	2						
	46								
	47								
	48								
	49								
	50								
	51	11142 134 ADJUSTER(FL)	1						
	52	11142 135 ADJUSTER(FR)	1						
	53	11150 107 09 ADJUST LEVER	2						
	54	36061 121 KNOB	2						
	55	31057 260 HEXAGON BOLT	2						
	56	569L 0800 FLANGE NYLON NUT	2						



PARTS LIST

46014-234-04

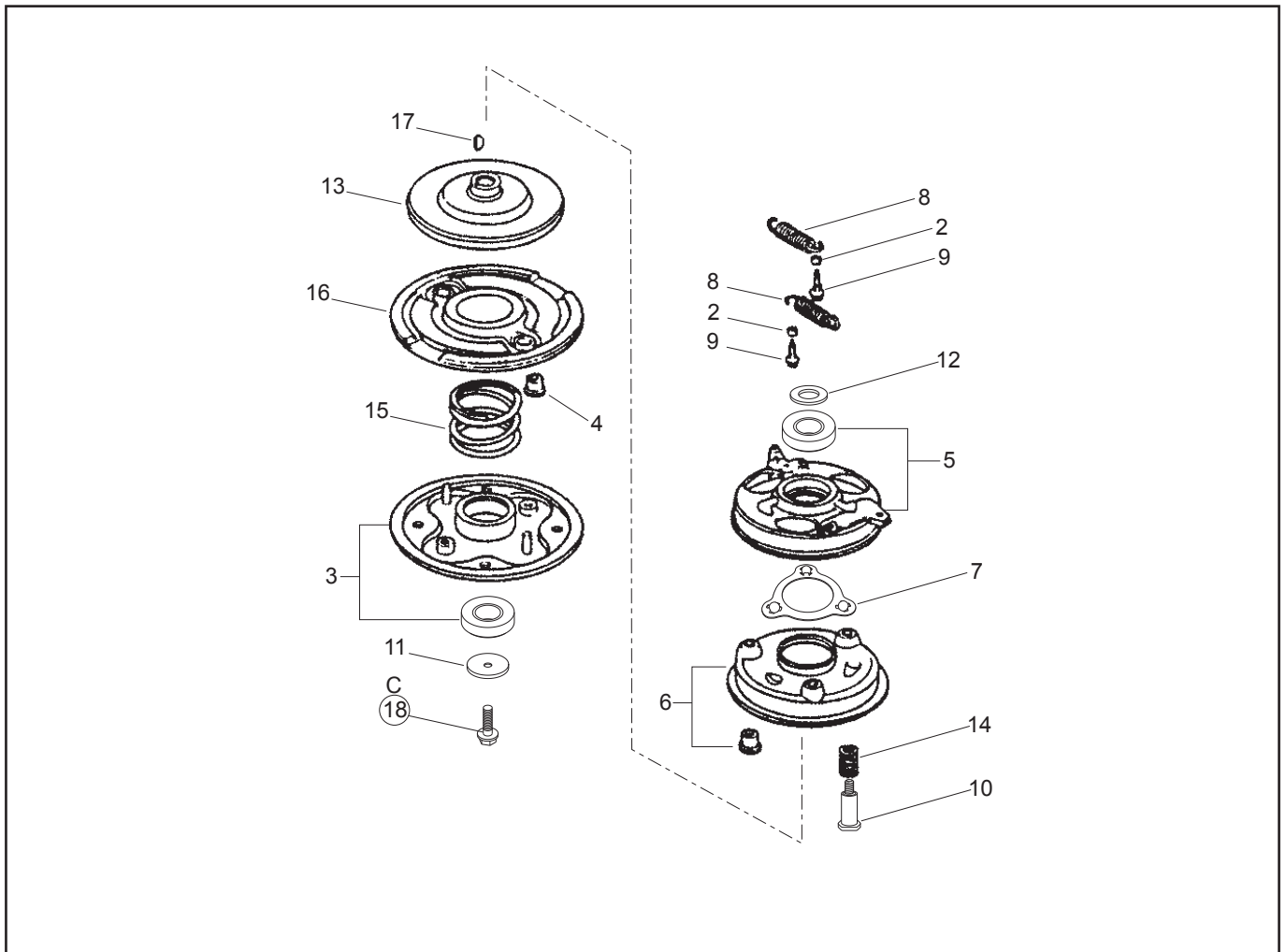
REF. No.	PARTS No.	PARTS NAME	GRASS-CUTTING			1/2	RECOMM.(%) Lot.100	Feb.09,2005	REMARKS
			Q'TY	PRICE()	INCLUDING				
1	51043 147 42	HOUSING	1						
2									
3	51090 117 09	PROTECTOR	2						
4	335L 0616	FLANGE BOLT	4						
5	512L 0600	HEXAGON NUT	4						
6	36065 180	COVER	1						
7	342L 0612	FLANGE TAPPING BOLT	2						
8	36065 436	COVER	1						
9	342L 0612	FLANGE TAPPING BOLT	3						
10	11006 155	STAY C.P.	1						
11	342L 0612	FLANGE TAPPING BOLT	2						
12	11113 407	STAY	1						
13	342L 0612	FLANGE TAPPING BOLT	1						
14	11113 292	STAY	1						
15	342L 0612	FLANGE TAPPING BOLT	2						
16	36068 196 46	GUARD	1						
17	36080 149	RUBBER SHEET	1						
18	64014 324	SHAFT	1						
19	68013 336	SPRING	1						
20	71082 111	FAN ASS'Y	1						
21	51125 103	FAN	1						
22	11102 151	HOLDER	1						
23	31062 169	PRE-COAT LOCK BOLT	4						
24	579L 0600	FLANGE NUT	4						
25	61024 208	SPACER	1						
26	91014 159	BLADE	1						
27	31057 197	HEXAGON BOLT	2						
28	31057 243	HEXAGON BOLT	4						



PARTS LIST

46014-234-04

REF. No.	PARTS No.	PARTS NAME	GRASS-CUTTING			2/2	Feb.09,2005
			Q'TY INCLUDING	PRICE()	RECOMM.(%) Lot.100	REMARKS	
29	61024 142	SPACER	3				
30	71067 106	BRAKE ASS'Y	1				
31							
32							
33	91097 101	UNIVERSAL JOINT	1				
34	812V 2000	C-SNAP RING	1				
35	717B 0418	PARALLEL PIN	1				
36	64014 358	SHAFT	1				
37	91049 135	CONNECTOR	1				
38	68036 280	WASHER	1				
39	816V 0800	E-SNAP RING	1				
40	36065 438	COVER	1				
41	342L 0616	FLANGE TAPPING BOLT	1				
42	51116 149	HANDLE BRACKET(L)	1				
43	51116 150	HANDLE BRACKET(R)	1				
44	31057 255	HEXAGON BOLT	4				
45	512L 0800	HEXAGON NUT	4				
46							
47							
48							
49							
50	71008 275	GEAR CASE ASS'Y	1				
51	36046 118	SAFETY GUARD	1				
52	11012 126	HANGER BAND	2				
53							
54	335L 0616	FLANGE BOLT	2				
55	122039	ENGINE:HONDA GXV160H2-SFL1-R280	1				
56		WOODRUFF KEY	1				



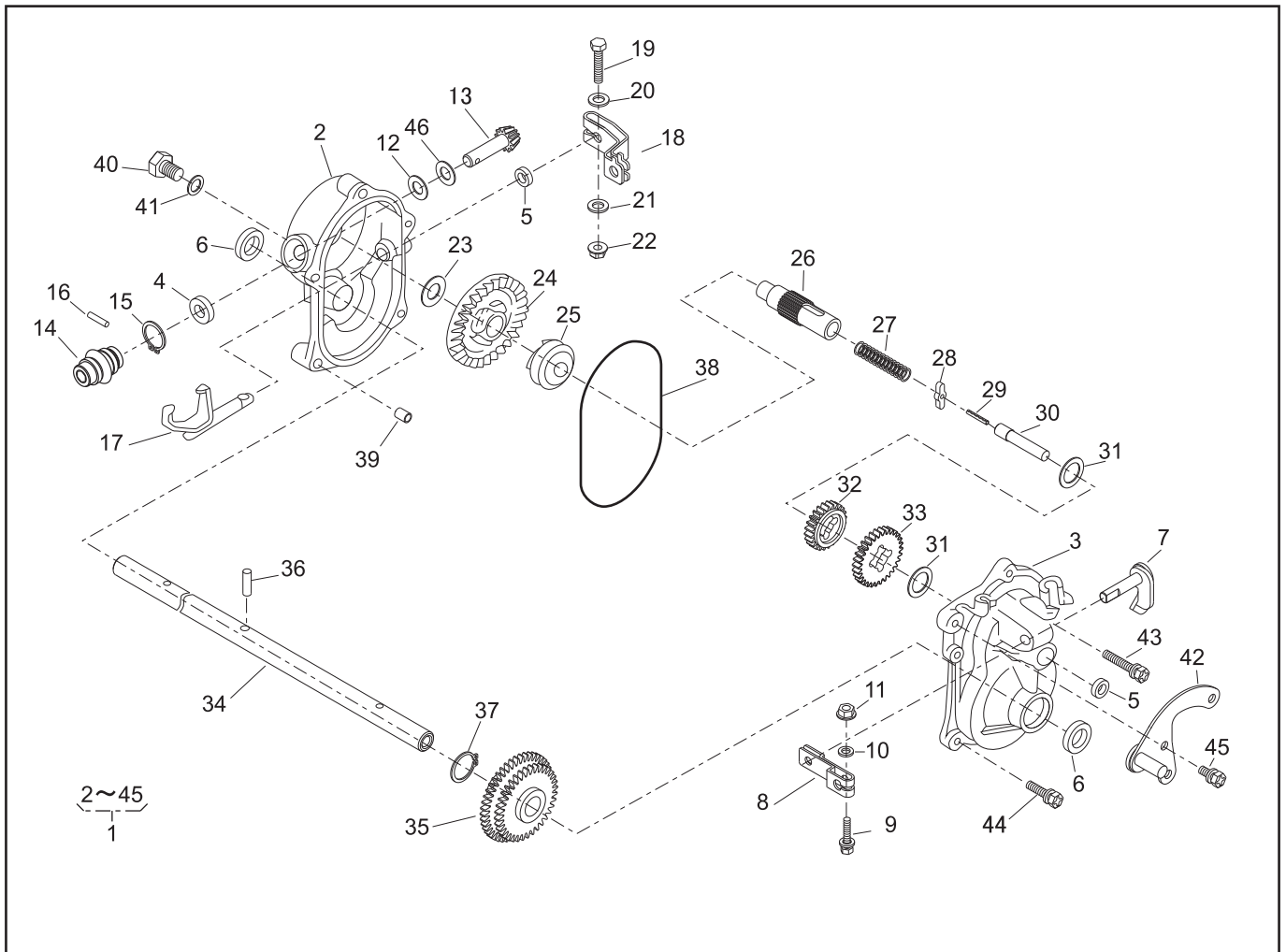
PARTS LIST BRAKE ASSY (71067-106)

46014-266-02

NOTE

REF. No.	PARTS No.			PARTS NAME	BBC			1/1	Feb.09,2005
					Q'TY INCLUDING	PRICE()	RECOMM.(%) Lot.100	REMARKS	
1	71067	106		BRAKE ASSY	1				
2	19512	883	000	FAN COLLAR	2				
3	72600	VA4	010	HOLDER ASSY	1				
4	72613	VA4	000	BUSH, BLADE HOLDER	2				
5	75090	VA4	030	CONTROL ASSY	1				
6	75100	VA4	010	BRAKE C.P.	1				
7	75110	VA4	000	BALL RETAINER C.P.	1				
8	75182	VA3	J00	SPRING, CLUTCH RETURN	2				
9	90014	952	000	FLANGE BOLT	2				6 x 14
10	90021	VA4	000	BOLT, SPECIAL	3				6 mm
11	90409	952	000	WASHER	1				10 mm
12	90501	952	010	THRUST WASHER	1				
13	75130	VA4	000	BRAKE DISK	1				
14	75132	VA4	000	SPRING, BRAKE HOLDER	3				
15	75183	VA3	J00	SPRING, CLUTCH	1				
16	75150	VA3	J01	DRIVEN DISK C.P.	1				
17	94401	16150		WOODRUFF KEY	1				
18	90105	960	003	BOLT (10x25)	1				
19									
20									
21									
22									
23									
24									
25									
26									
27									
28									

C

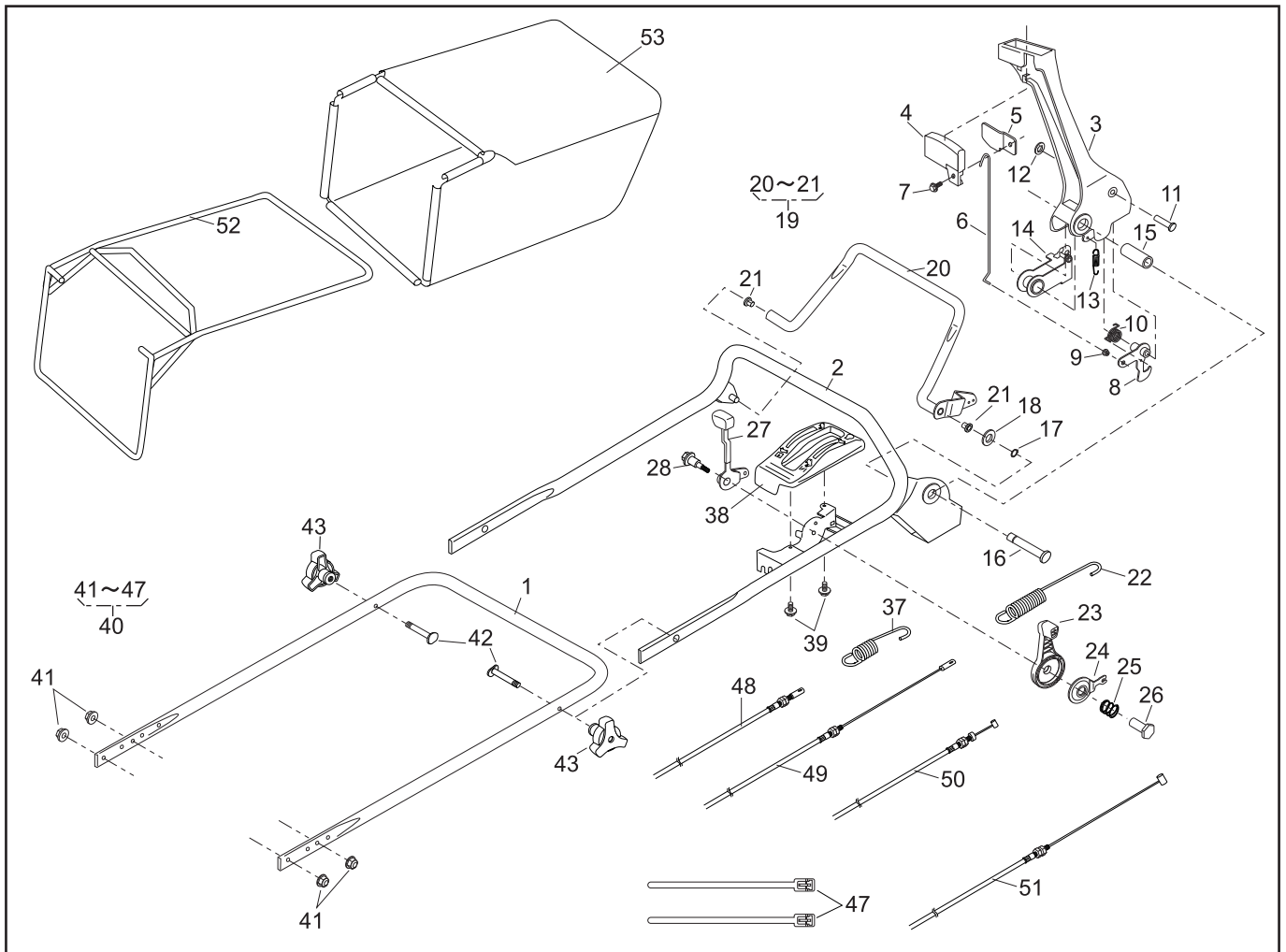


PARTS LIST

GEAR CASE ASSY (71008-275)

46014-262-03

NOTE	REF. No.	PARTS No.	PARTS NAME	GEAR CASE			1/2	Feb.07,2005
				Q'TY INCLUDING	PRICE()	RECOMM.(%) Lot.100	REMARKS	
	1	71008 275	GEAR CASE ASSY	1			-	
	2	51001 195	GEAR CASE	1			3	
	3	51001 196	GEAR CASE	1			3	
	4	61002 161	OIL SEAL	1			5	SD 10 20 5
	5	61002 162	OIL SEAL	2			5	SD 8 14 4
	6	61002 163	OIL SEAL	2			5	SD 15 24 5
F	7	64024 104	SHIFTER SHAFT	1			3	
	8	11104 119	ARM	1			3	
F	9	320L 0525	(+)HEXAGON BOLT(W/PW)	1			3	M5 × 25
	10	611L 0500	PLAIN WASHER	1			3	M5
	11	571L 0500	FLANGE NUT	1			3	M5
	12	61003 109	THRUST PLATE	1			5	
	13	78003 130	PINION	1			3	
	14	91097 101	UNIVERSAL JOINT	1			3	
F	15	812V 2000	C-SNAP RING		1		1	φ 20
	16	717B 0418	PARALLEL PIN		1		3	φ 4 × 18
E	17	11097 106	SHIFTER FORK	1			3	
	18	11104 137	ARM	1			3	
F	19	311M 0630	HEXAGON BOLT	1			3	M6 × 30
	20	611L 0600	PLAIN WASHER	1			3	M6
	21	613L 0600	PLAIN WASHER	1			3	M6
	22	571L 0600	FLANGE NUT	1			3	M6
	23	61024 117	SPACER	1			5	
	24	78001 162	BEVEL GEAR	1			3	
	25	11129 107	CLUTCH	1			3	
	26	64014 236	SHAFT	1			3	
	27	68013 262	SPRING	1			3	



PARTS LIST

46014-250-02

REF. No.	PARTS No.	PARTS NAME	HANDLE			PRICE()	1/2	RECOMM.(%) Lot.100	Feb.08,2005	REMARKS
			Q'TY	INCLUDING						
1	51027 254	HANDLE	1							
2	51027 255	HANDLE	1							
3	11095 172	LEVER (BBC)	1							
4	36110 102	BUTTON	1							
5	11049 109	SLIDE PLATE	1							
6	64014 336	SHAFT	1							
7	335N 0612	FLANGE BOLT	1							
8	71203 135	ARM C.P.	1							
9	76007 183	BUSH	1							
10	68013 371	SPRING	1							
11	31056 127	GIB-HEADED PIN	1							
12	576V 0600	PUSH NUT	1							
13	68013 372	SPRING	1							
14	11109 111	LINK	1							
15	61023 190	SLEEVE	1							
16	64014 337	SHAFT	1							
17	812V 0800	C-SNAP RING	1							
18	613L 0800	PLAIN WASHER	1							
19	71161 114 09	LEVER ASS'Y	1							
20		LEVER		1						
21	76007 131	BUSH		2						
22	68013 391	SPRING	1							
23	91010 169	THROTTLE LEVER (GXV120/GXV160)	1							
24	61003 113	THRUST PLATE	1							
25	68013 356	SPRING	1							
26	31058 168	HEXAGON NUT	1							
27	11095 117	LEVER	1							
28	31062 109	PRE-COAT LOCK BOLT	1							

